

## ES10-10WA/ES12-12WA ES14-14WA/ES16-16WA Electric Stacker 1.0-1.6t

Ideal Choice for Heavy Duty Short Distance Handling and Stacking Tasks:  
Long-tiller Design Makes Operations Easy and Convenient;  
Long aside tiller offers wider view and safer operation.

**EP EQUIPMENT CO.,LTD**  
[www.ep-ep.com](http://www.ep-ep.com)

## FEATURE

### Performance

- The innovative AC system offers strong power, accurate control, excellent performance.
- High strength vertical gearbox, longer working life.
- Low-noise but durable hydraulic unit, good quality cylinder as well as hose ensure the high reliability of hydraulic system.
- AMP connector and durable electric wires greatly reduce malfunctions of components.
- H shape mast channel mast improves the strength of the whole truck.



### Safety

- Safe hydraulic system design prevents mast from falling down abruptly when hydraulic pipeline cuts off.
- Emergency reverse belly button protects the operator from getting hurt.
- Emergency disconnecter will cut off power source to avoid accident when truck goes out of control.
- Multiple lifting limit protection ensures safety.
- Automatic switch to lower speed when the fork reaches its setting height.
- Anti-rolling back brake keeps the truck from skidding down when truck is out of control or travelling on ramp.
- Long aside tiller reduces operator's hazards.

### Operation

- With the new design of ergonomical tiller head, all buttons can be reached conveniently & comfortably.
- Creep speed function: when tiller is in near vertical position, the driving speed will decrease automatically, allowing delicate operation in confined space.
- Long tiller offers easier operation.
- Aside Operation, Greater View.

### Maintenance

- AC traction motor, maintenance free.
- Hour meter and battery indicator remind the operator of battery charging.
- Back cover can be removed easily ; Access to all key components for inspection, maintenance and replacement.
- Easy access for battery maintenance.
- Vertical motor makes the inspection & service much more convenient.
- Control system allows easy trouble-shooting.
- Mast and chassis are assembled together, easy for maintenance.
- Low voltage cut off setting protects batteries.

# Electric Stacker 1.0-1.6t

## ES10-10WA/ES12-12WA

## ES14-14WA/ES16-16WA

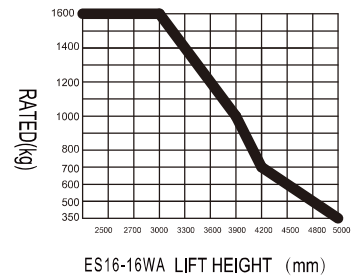
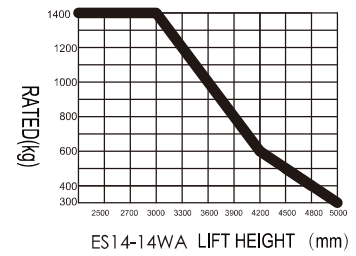
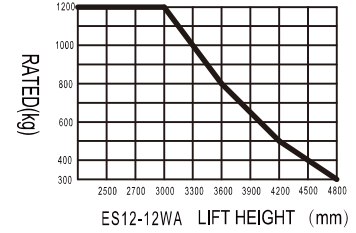
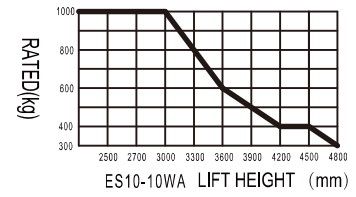
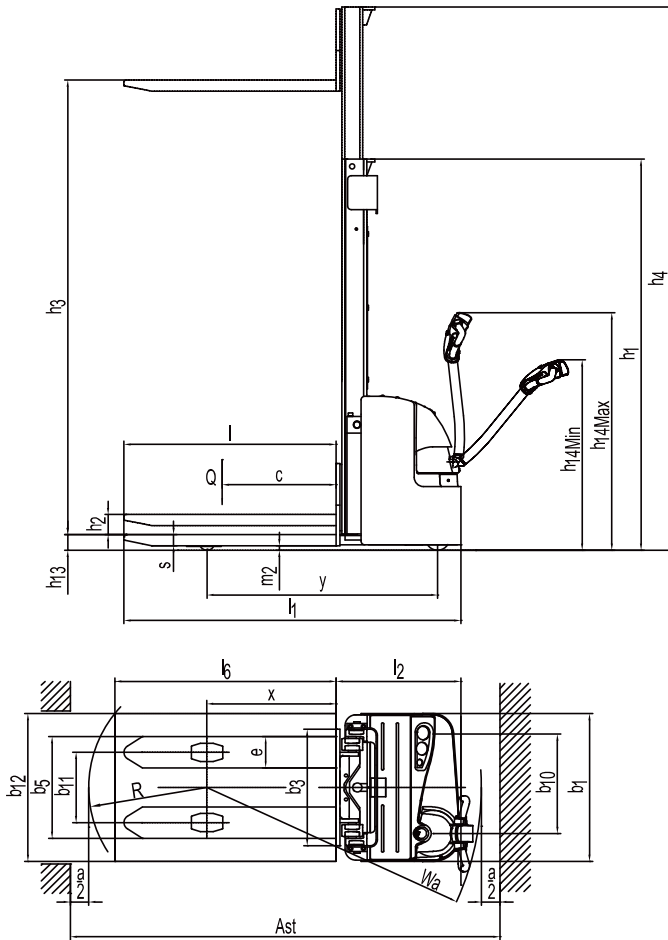
Distinguishing mark							
1.1	Manufacturer		EP	EP	EP	EP	
1.2	Model designation		ES10-10WA	ES12-12WA	ES14-14WA	ES16-16WA	
1.3	Drive unit		Electric	Electric	Electric	Electric	
1.4	Type of operation		Pedestrian	Pedestrian	Pedestrian	Pedestrian	
1.5	Rated capacity	Q	kg	1000	1200	1400	1600
1.6	Load center distance	c	mm	600	600	600	600
1.8	Load distance, centre of drive axle to fork	x	mm	688	688	693	693
1.9	Wheelbase	y	mm	1225	1225	1305	1305
Weight							
2.1	Service weight (include battery)		kg	925	950	1050	1070
2.2	Axle loading, laden driving side/loading side		kg	640/1285	715/1435	755/1695	780/1890
2.3	Axle loading, unladen driving side/loading side		kg	630/295	645/305	715/335	730/340
Types, Chassis							
3.1	Tyre type Driving wheels/Loading wheels			PU/PU	PU/PU	PU/PU	PU/PU
3.2	Tyre size, driving wheels (diameter×width)		mm	Φ230×75	Φ230×75	Φ230×75	Φ230×75
3.3	Tyre size, loading wheels (diameter×width)		mm	Φ85×70	Φ85×70	Φ85×70	Φ85×70
3.4	Tyre size, caster wheels (diameter×width)		mm	Φ130×55	Φ130×55	Φ130×55	Φ130×55
3.5	Wheels, number driving, caster/loading (x=drive wheels)		mm	1x +1/4	1x +1/4	1x +1/4	1x +1/4
3.6	Track width, front, driving side	b <sub>10</sub>	mm	538	538	538	538
3.7	Track width, rear, loading side	b <sub>11</sub>	mm	380/430/515	380/430/515	360/410/495	360/410/495
Dimensions							
4.2	Height, mast lowered	h <sub>1</sub>	mm	1970	1970	2030	2030
4.3	Free lift	h <sub>2</sub>	mm	100	100	100	100
4.4	Lift height	h <sub>3</sub>	mm	2930	2930	2950	2950
4.5	Height, mast extended	h <sub>4</sub>	mm	3420	3420	3465	3465
4.9	Height drawbar in driving position min./max.	h <sub>14</sub>	mm	715/1200	715/1200	715/1200	715/1200
4.15	Lowered height	h <sub>13</sub>	mm	88	88	88	88
4.19	Overall length	l <sub>1</sub>	mm	1826	1826	1940	1940
4.20	Length to face of forks	l <sub>2</sub>	mm	676	676	787	787
4.21	Overall width	b <sub>1</sub>	mm	800	800	800	800
4.22	Fork dimensions	s/ e/ l	mm	60×170×1150	60×170×1150	60×190×1150	60×190×1150
4.24	Fork carriage width	b <sub>3</sub>	mm	680	680	680	680
4.25	Distance between fork-arms	b <sub>5</sub>	mm	550/600/685	550/600/685	550/600/685	550/600/685
4.32	Ground clearance, center of wheelbase	m <sub>2</sub>	mm	28	28	28	28
4.34.1	Aisle width for pallets 1000 × 1200 crossways	Ast	mm	2333	2333	2465	2465
4.34.2	Aisle width for pallets 800 × 1200 lengthways	Ast	mm	2303	2303	2440	2440
4.35	Turning radius	Wa	mm	1463	1463	1589	1589
Performance data							
5.1	Travel speed, laden/ unladen		km/ h	5.0/5.5	5.0/5.5	5.0/5.5	5.0/5.5
5.2	Lifting speed, laden/ unladen		m/ s	0.10/0.16	0.10/0.16	0.13/0.16	0.13/0.16
5.3	Lowering speed, laden/ unladen		m/ s	0.19/0.18	0.19/0.18	0.22/0.13	0.22/0.13
5.8	Max. gradeability, laden/unladen		%	8/16 ①	8/16 ①	8/16 ①	8/16 ①
5.10	Service brake type			Electromagnetic	Electromagnetic	Electromagnetic	Electromagnetic
Electric-engine							
6.1	Drive motor rating S2 60 min		kW	1.1	1.1	1.1	1.1
6.2	Lift motor rating at S3 15%		kW	2.2	2.2	3.0	3.0
6.3	The maximum allowed size battery		mm	788×180×560	788×180×560	788×180×560	788×180×560
6.4	Battery voltage/nominal capacity K5		V/ Ah	24/165	24/210	24/210	24/230
6.5	Battery weight		kg	165	190	190	210
Addition data							
8.1	Type of drive unit			AC	AC	AC	AC
10.5	Steering type			Machanical Steering	Machanical Steering	Machanical Steering	Machanical Steering
10.7	Sound pressure level at the driver's ear		dB (A)	74	74	74	74

1.The parameters in the table are of the standard model. For more information, please contact us.

2.The parameters are subject to change without notice.

① This parameter is only representative of the vehicle climbing performance, actually depends on the ramp and through the left ramp angle design.

## RATED CAPACITIES GRAPH



## Mast Option

ES10-10WA/ES12-12WA

mast types	Lift $h_3+h_{13}$ (mm)	Lowered mast height $h_1$	Free lift $h_2$ (mm)	Extended mast height $h_4$
Duplex ZT	2510	1720	100	2900
	2710	1820	100	3100
	3010	1970	100	3400
	3310	2120	100	3700
	3610	2270	100	4000
	3910	2420	100	4300
Duplex ZZ	4170	2550	100	4560
	2700	1819	1320	3119
	3000	1969	1470	3419
Triplex DZ	3300	2119	1620	3719
	4000	1822	1390	4460
	4500	2022	1590	4960
	4800	2122	1690	5260

ES14-14WA/ES16-16WA

mast types	Lift $h_3+h_{13}$ (mm)	Lowered mast height $h_1$	Free lift $h_2$ (mm)	Extended mast height $h_4$
Duplex ZT	2700	1870	100	3165
	3000	2020	100	3465
	3300	2170	100	3765
	3600	2470	100	4065
	3900	2600	100	4365
	4190	2320	100	4625
Triplex DZ	4000	1830	1390	4470
	4500	2030	1590	4970
	4800	2130	1690	5270
	5000	2195	1760	5460

## Option

Option	ES10-10WA/ES12-12WA	ES14-14WA/ES16-16WA
Standard Fork length	• 750/900/1000/1300/1400/1500	• 750/900/1000/1300/1400/1500
mast screen	• triplex mast (organic glass)	• organic glass
Driving wheel	• Rubber wheel/Pu wheel with pattern	• Rubber wheel/Pu wheel with pattern
High capacity battery	• 165Ah/210Ah/230Ah	• 210Ah/230Ah/280Ah
cold storage	•	•
battery indicator without hour meter	•	•
proportional lifting	•	•
Vertical handler working	•	•
auto-filling water system	•	•